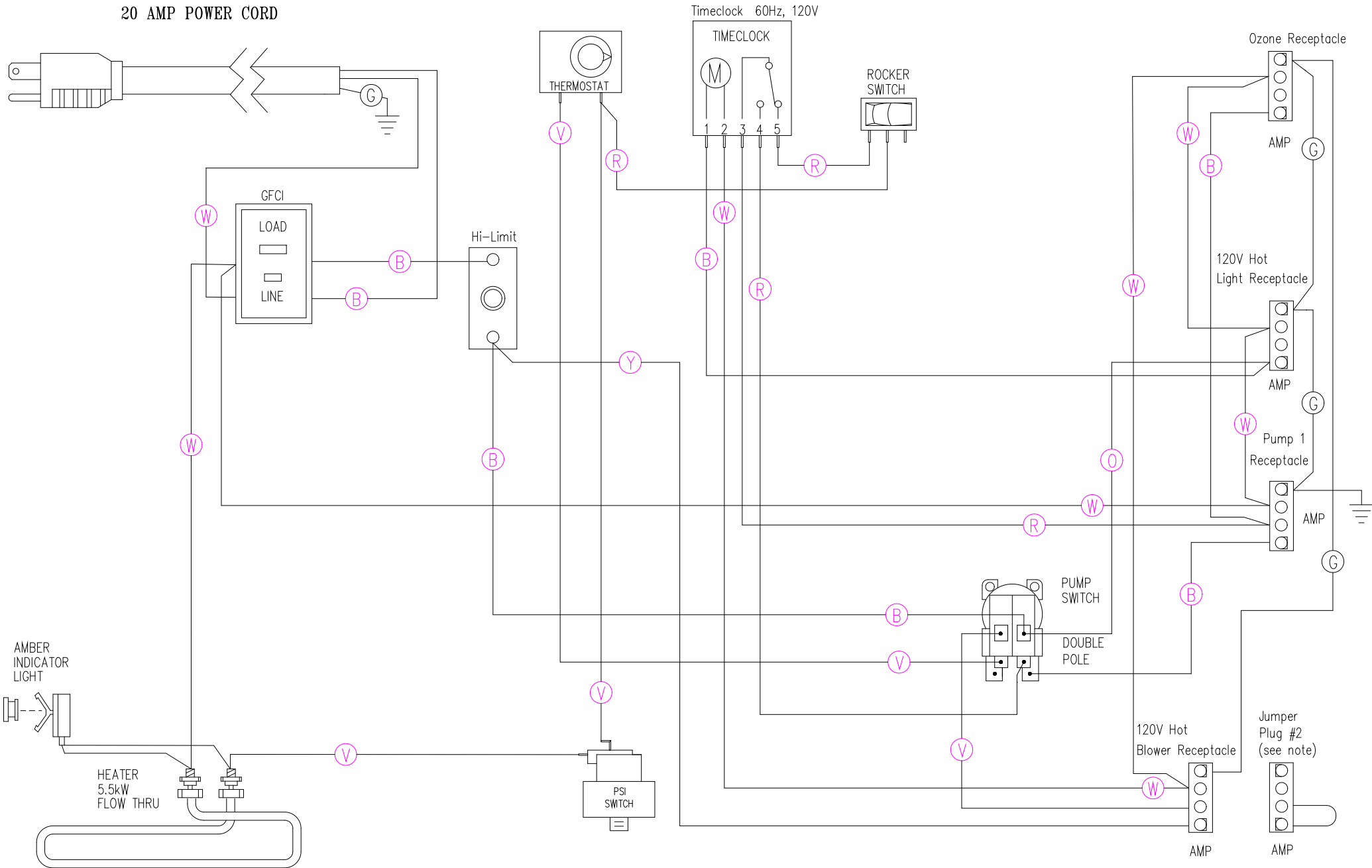


20 AMP POWER CORD



**HYDRO-QUIP**  
CORONA, CA 909.273.7575

Manufacture Notes:

Dwg. No.  
**103TG-BDEKQ-K**

Drawn  
DJT  
Date  
7.29.96

Rev  
0

Wire Color Code

B - Black	G - Green
Br - Brown	Bl - Blue
R - Red	V - Violet
O - Orange	W - White
Y - Yellow	Gr - Grey

NOTE: Jumper Plug #2 is for use when Blower is NOT installed. Failure to do so will cause the equipment to malfunction.

Diagram No.  
**1134**